

## Printing guidelines

When designing for print you must ensure that you create your artwork in the correct dimensions so we've laid out the standard page sizes, along with the document size including 5mm bleed on each edge.

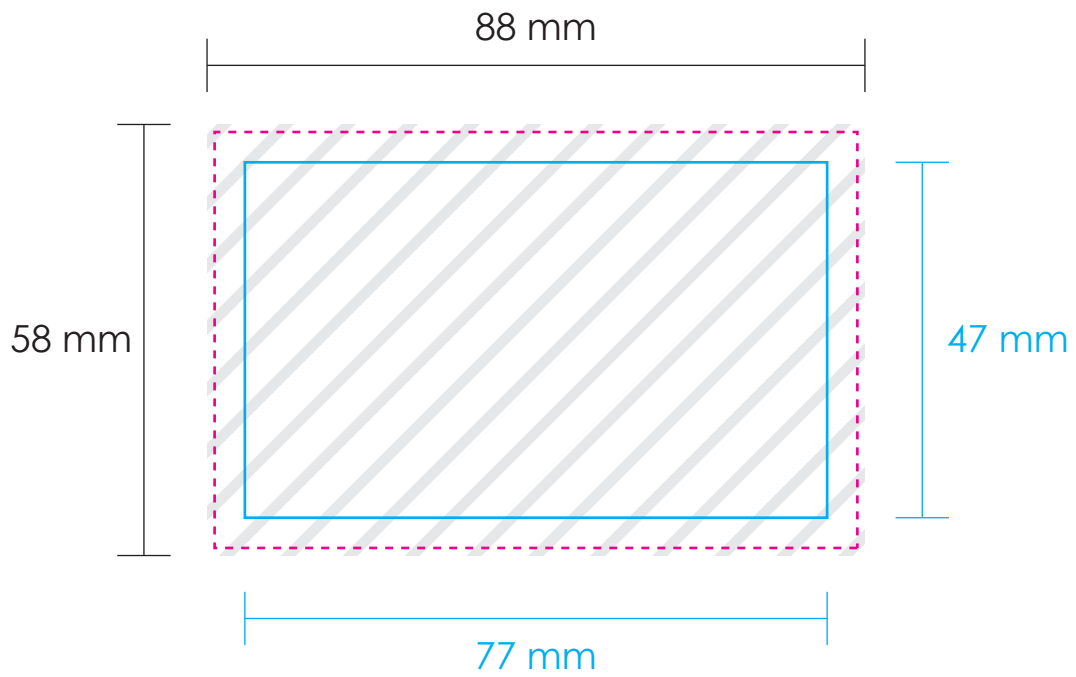
Set your page size to the actual size of the finished product. If any images bleed (go right to the edge of the sheet), extend them off your page by 3mm. Text and other sensitive content you need on the page should be at least 5mm in from the edge to allow for slight movement when printing and trimming.

Supply your artwork as PDF or High Resolution 300dpi JPEG.

If you have any questions please give us a call +44 (0) 1202 29 33 00



### Business cards

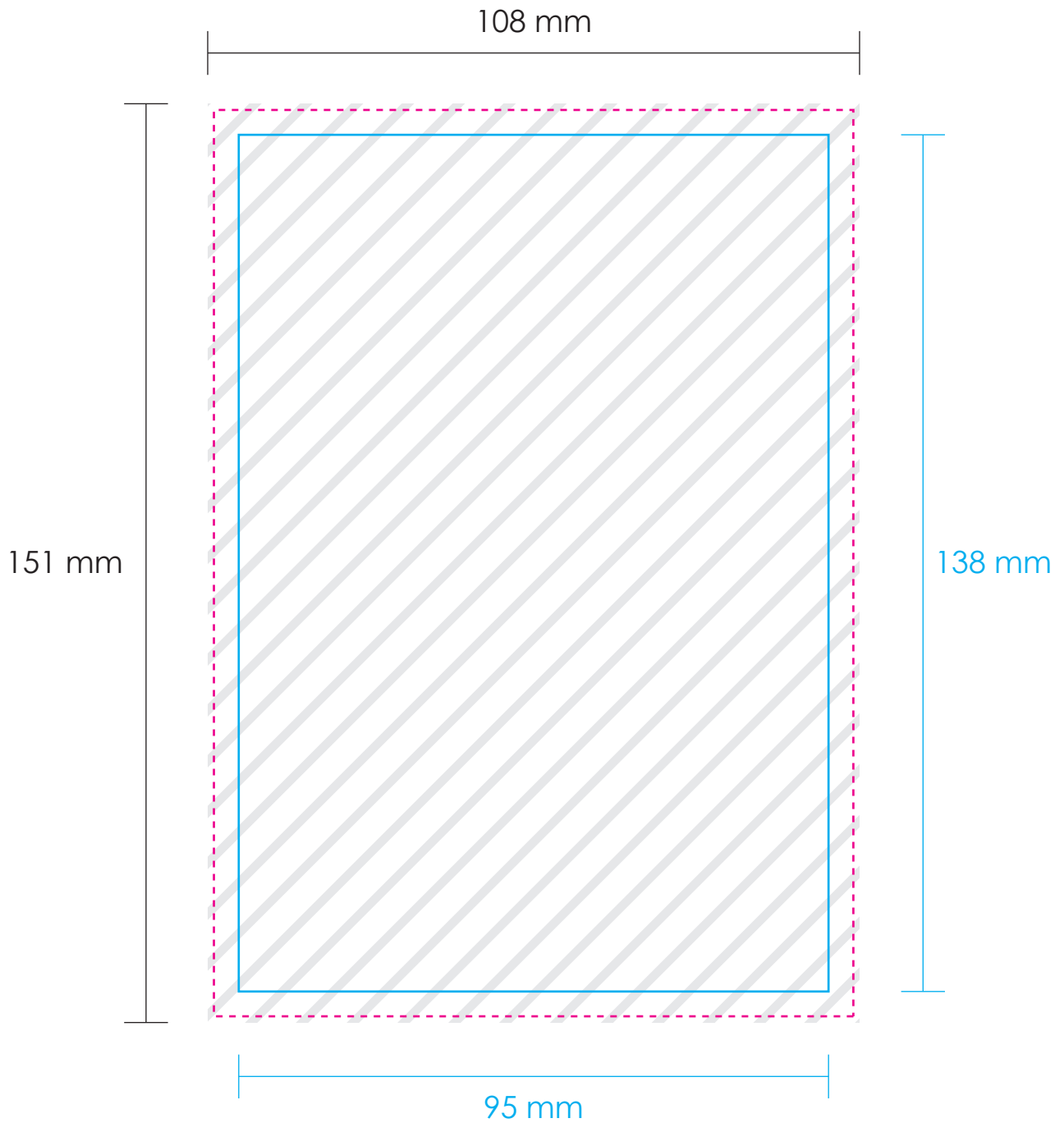


— Content safe area

- - - Cutting area



### A6 Flyers

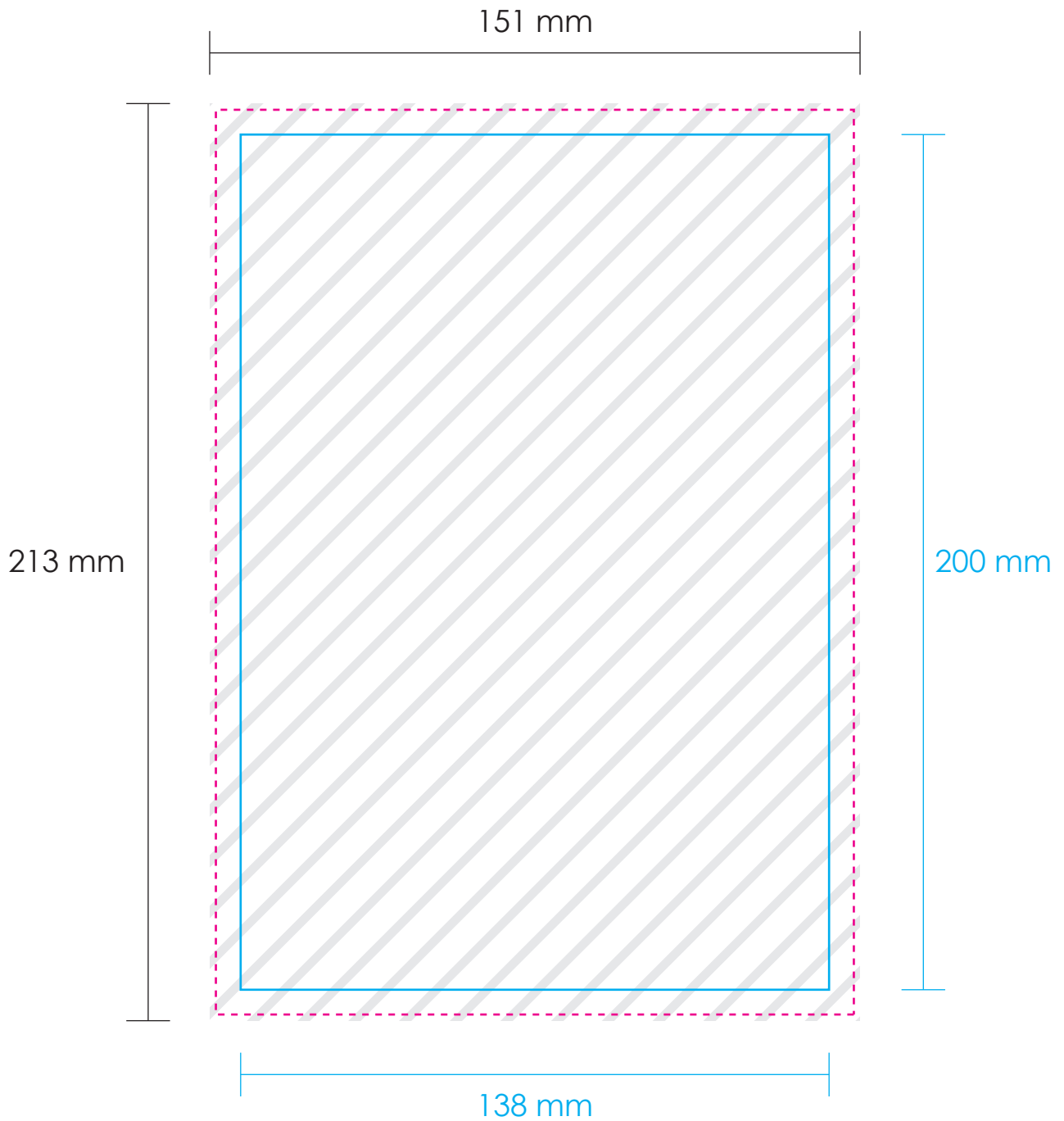


— Content safe area

- - - Cutting area



### A5 Flyers

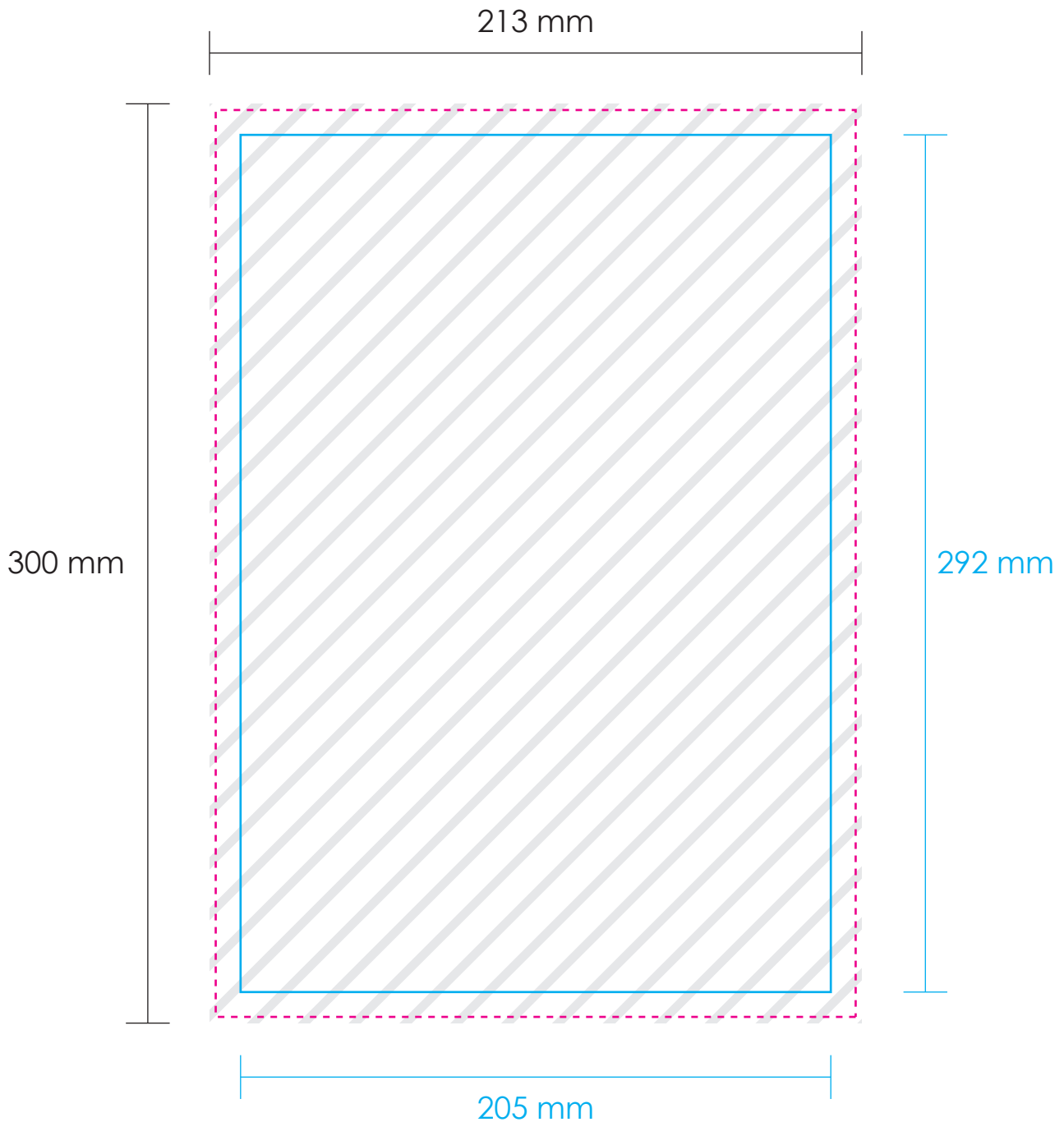


— Content safe area

- - - Cutting area



### A4 Letterhead / Posters

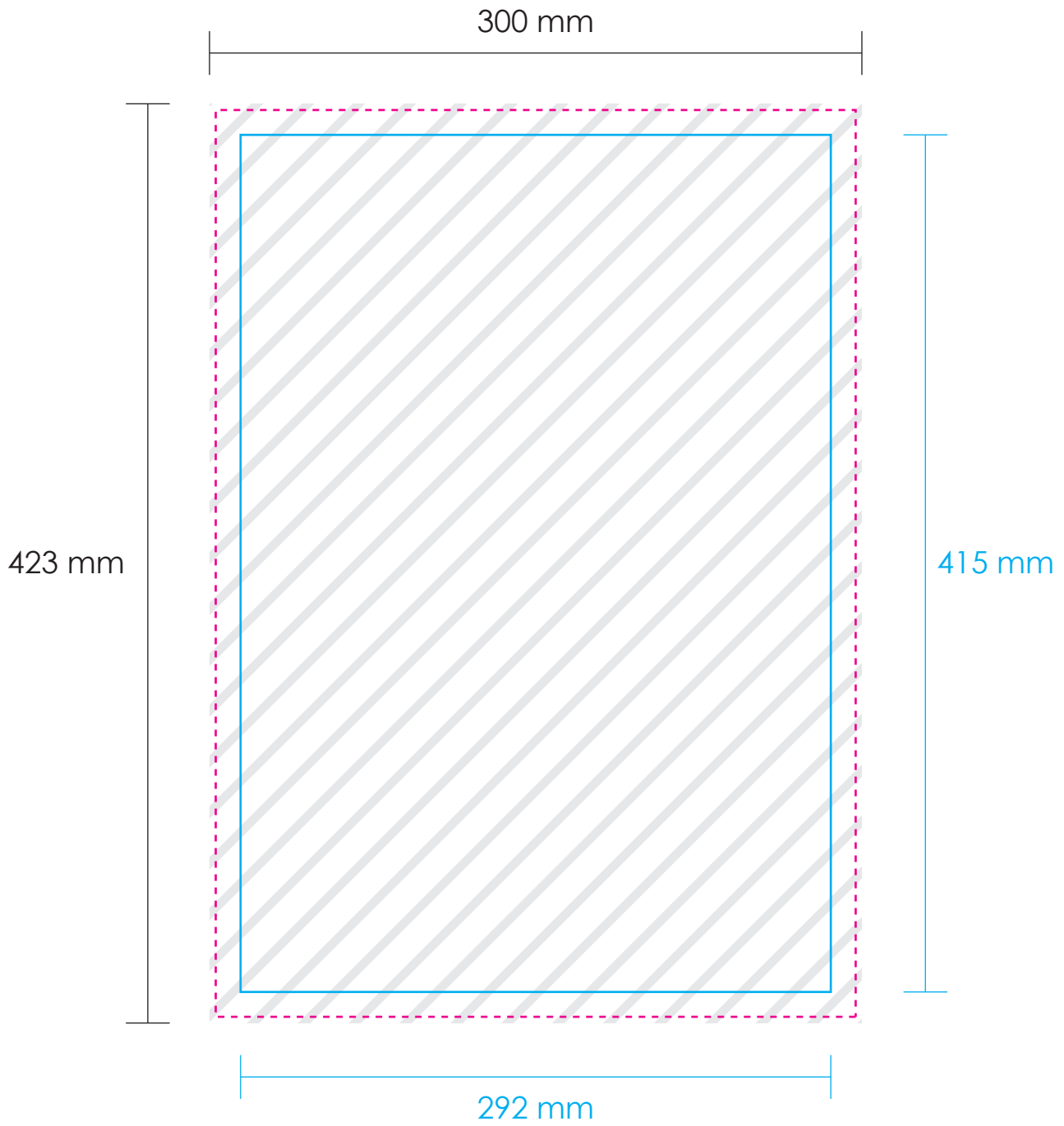


— Content safe area

- - - Cutting area



### A3 Posters

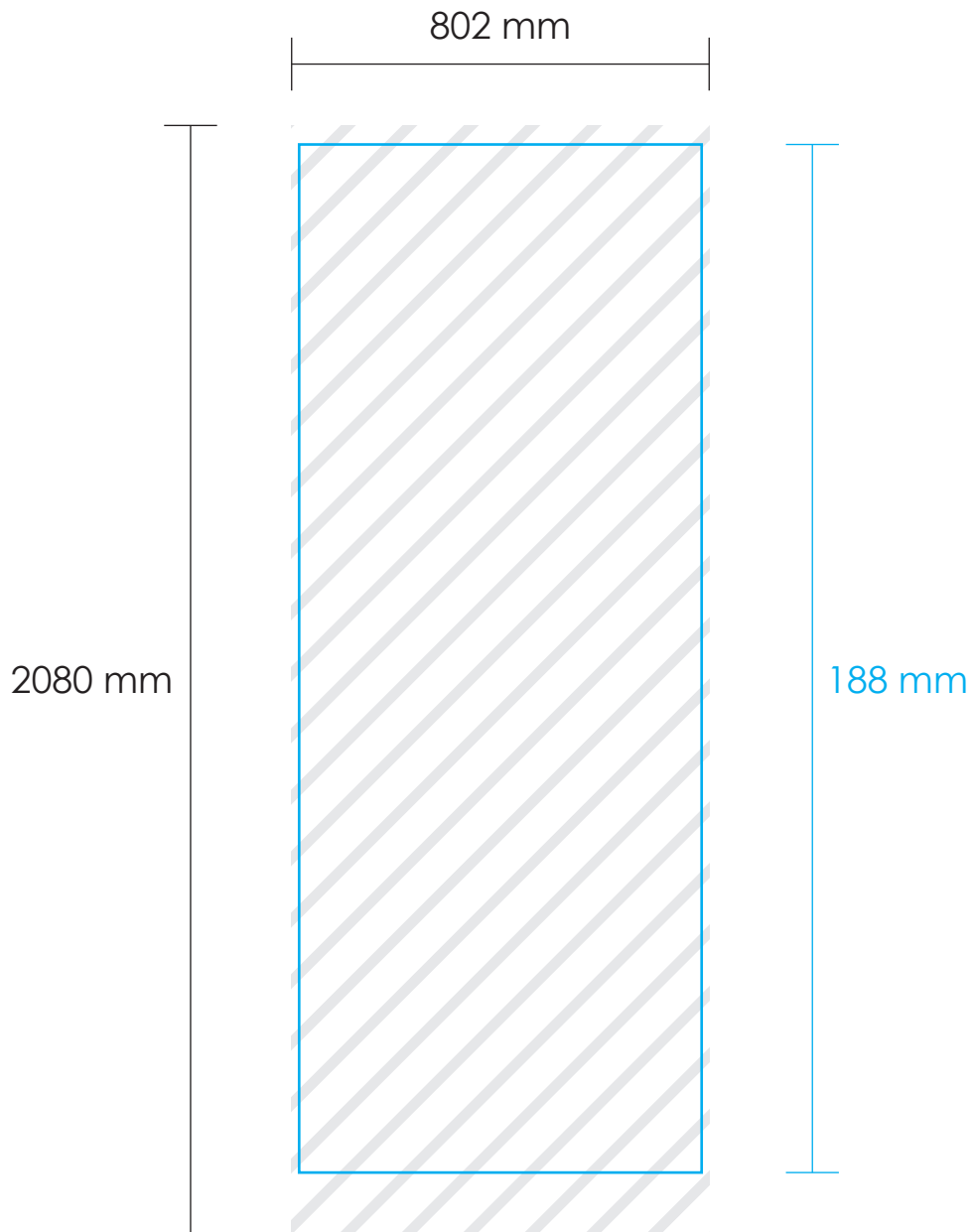


— Content safe area

- - - Cutting area



### PullUp Banner



— Content safe area

--- Cutting area